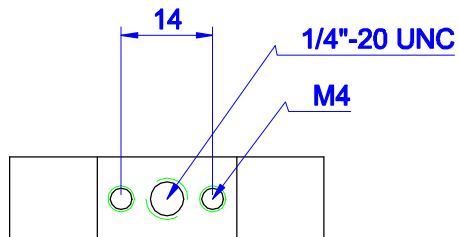
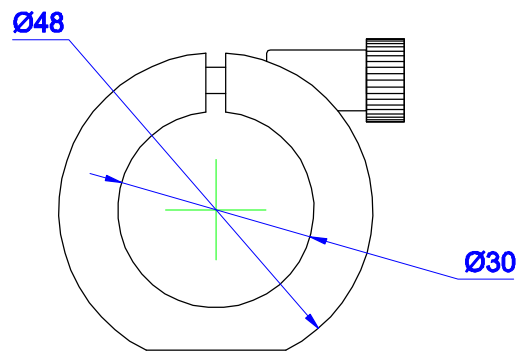
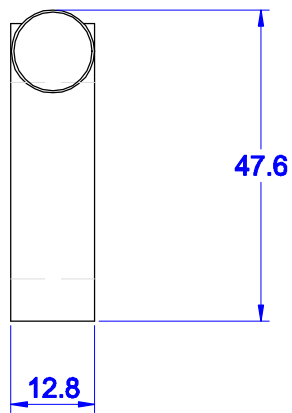


OEM/Designer Handbook: Standard Accessories



Infinity Photo-Optical Company • 2530 Frontier Ave. • Boulder, CO 80301 • Telephone 303/440-4544 • Fax 303/440-4144



Notes:

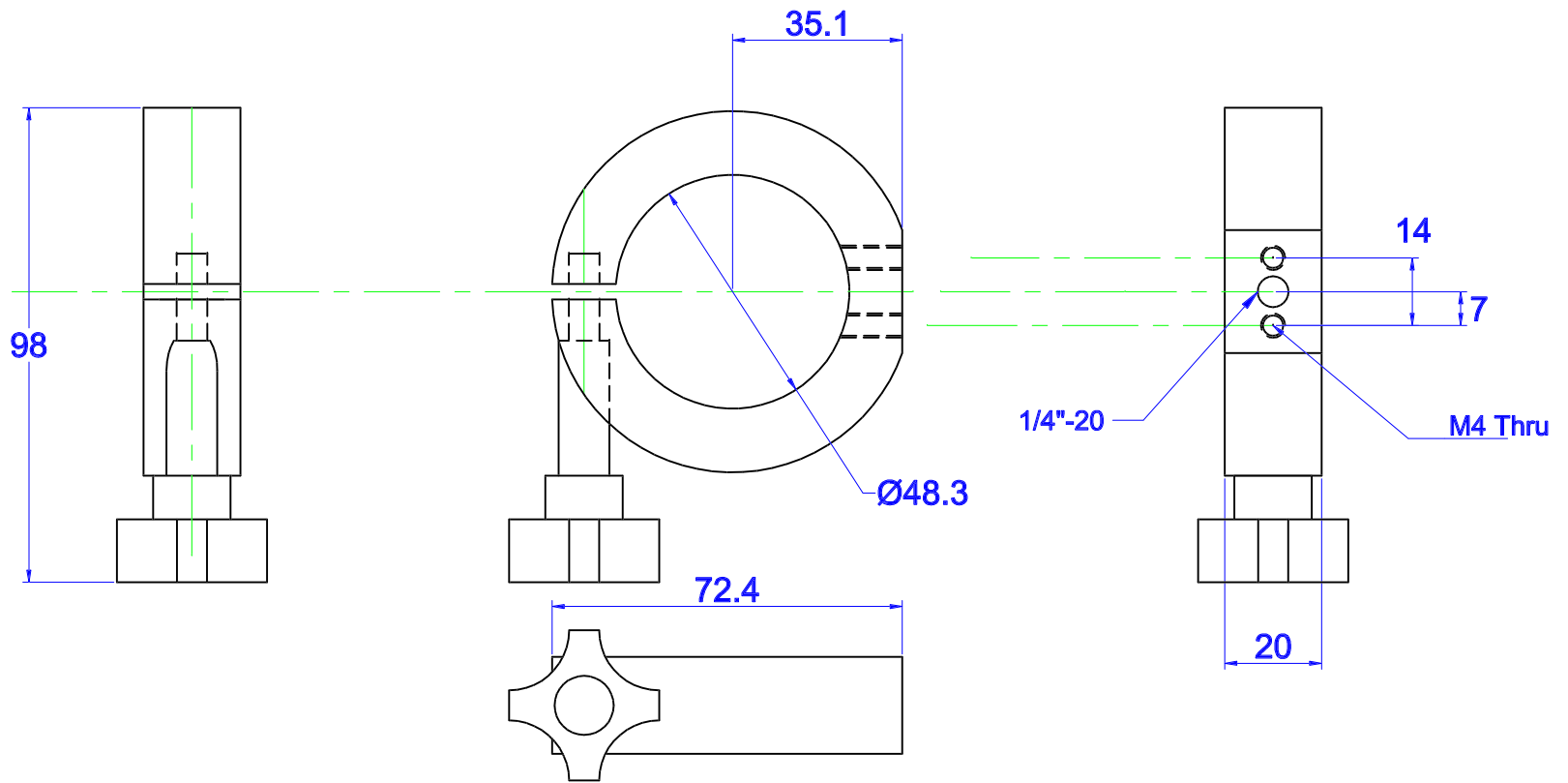
- 1) For use with 30mm diameter (C size) Infinity products.
- 2) Use clamp screw to position clamp on instrument.
- 3) Dimensions are for mounting information only.

ALL DIM ARE mm
[inches] AND ARE FOR
REFERENCE ONLY
AND ARE SUBJECT TO
CHANGE.

INFINITY Photo-Optical Company
2530 Frontier Ave., Boulder, CO 80301
303/440-4544 Fax 303/440-4144

C-Clamp Illustration

Date: 6/12/1998	SIZE B	FSCM NO.	DWG NO.	REV
Modified:	SCALE NONE	SHEET 1 OF		



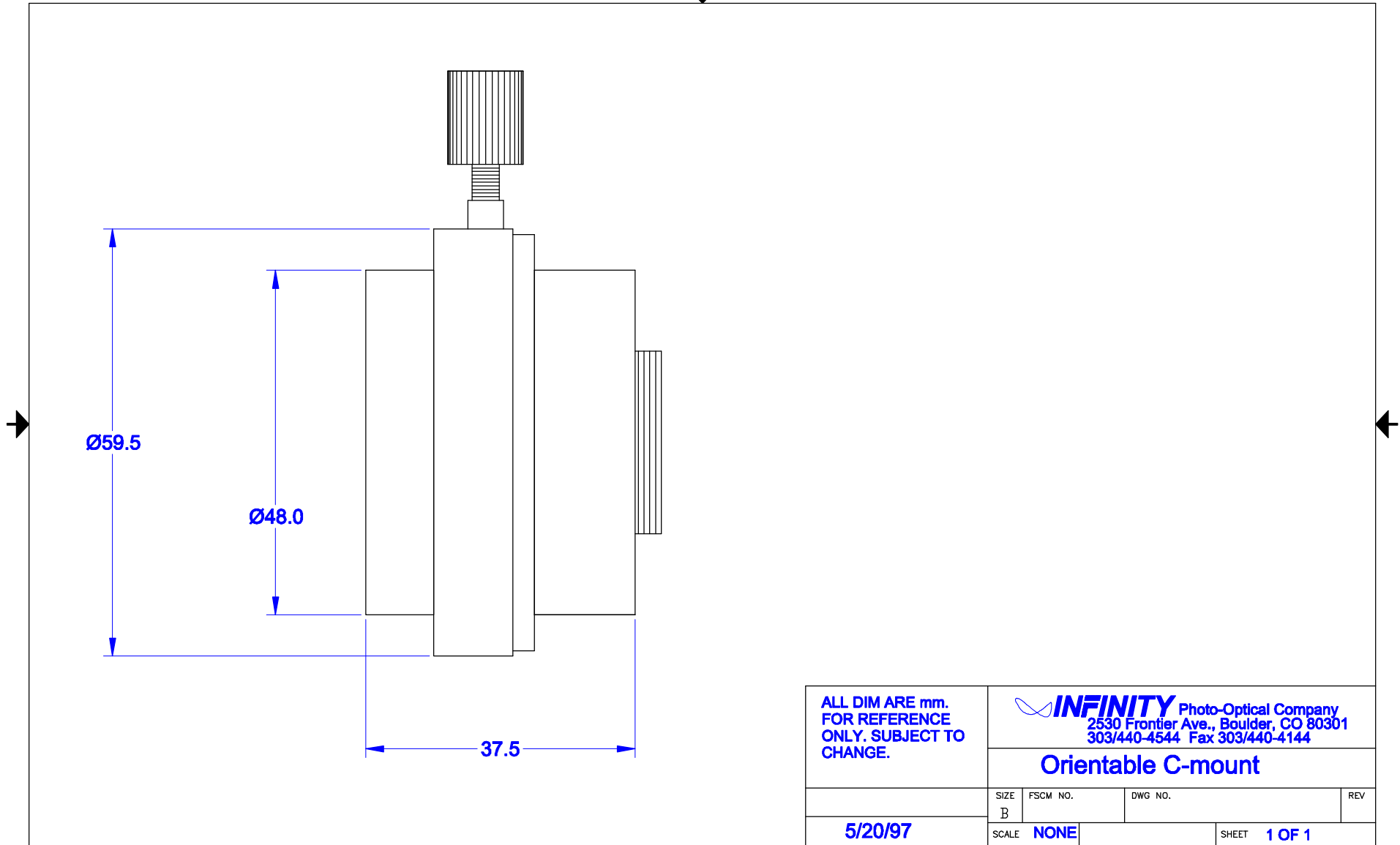
Clamp

ALL DIM ARE mm
[inches] AND ARE FOR
REFERENCE ONLY
AND ARE SUBJECT TO
CHANGE.

INFINITY Photo-Optical Company
2530 Frontier Ave., Boulder, CO 80301
303/440-4544 Fax 303/440-4144

T-Clamp

Date:	SIZE B	FSCM NO.	DWG NO.	REV
Modified: 7/24/97	SCALE NONE			SHEET 1 OF

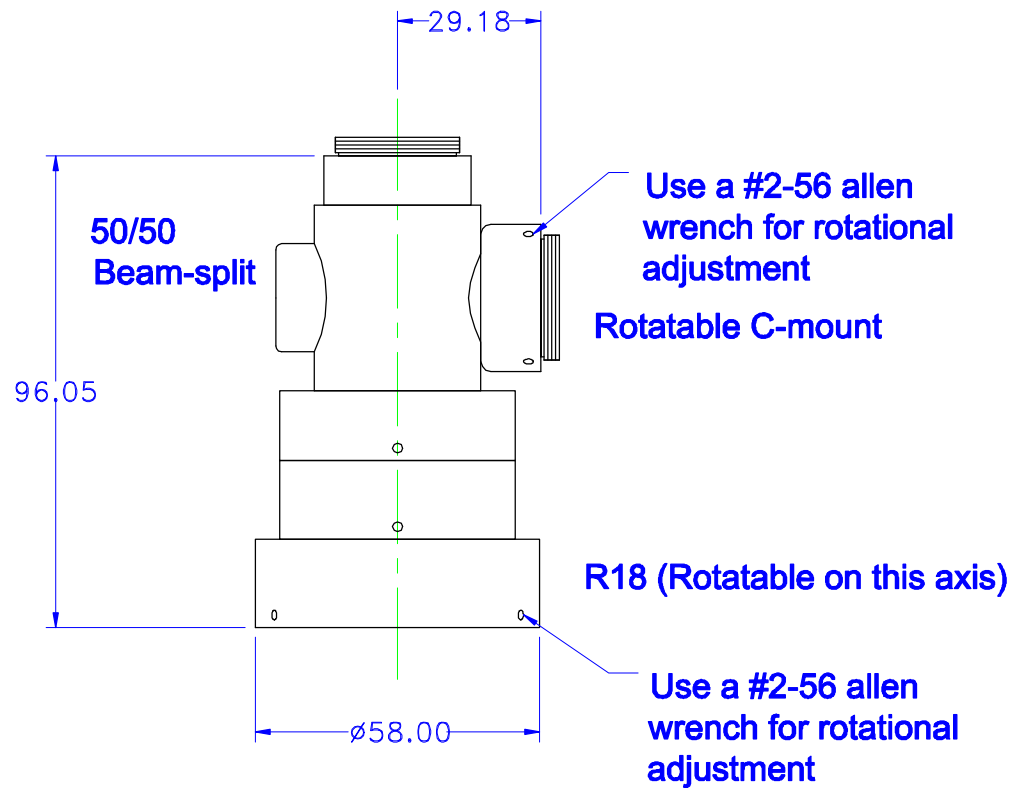


ALL DIM ARE mm.
FOR REFERENCE
ONLY. SUBJECT TO
CHANGE.

INFINITY Photo-Optical Company
2530 Frontier Ave., Boulder, CO 80301
303/440-4544 Fax 303/440-4144

Orienable C-mount

	SIZE B	FSCM NO.	DWG NO.	REV
5/20/97	SCALE	NONE	SHEET	1 OF 1



Note:

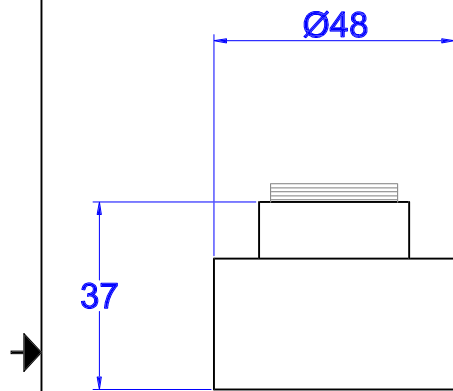
This unit replaces C-mount/S58 spacer on K2 and other Standard Series Infinity instruments. Zoom Module, TR Tube, ect. position in front of this unit exactly as before.

ALL DIM ARE mm [inches] AND ARE FOR REFERENCE ONLY AND ARE SUBJECT TO CHANGE.

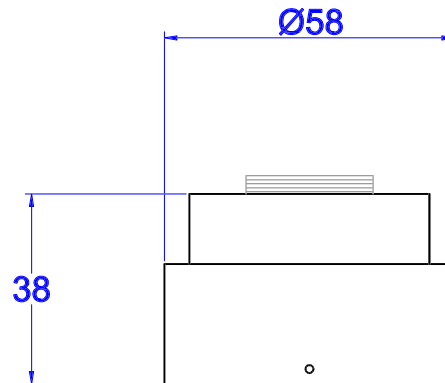
INFINITY Photo-Optical Company
2530 Frontier Ave., Boulder, CO 80301
303/440-4544 Fax 303/440-4144

Standard Series Beam-splitter C-mount

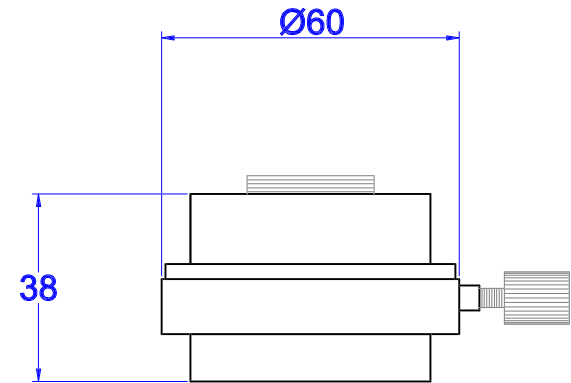
Date: 6/16/98		SIZE B	FSCM NO.	DWG NO.	REV
Modified:		SCALE NONE	SHEET 1 OF		



Regular



Rotatable



Orientable and Seperable

ALL DIM ARE mm
[inches] AND ARE FOR
REFERENCE ONLY
AND ARE SUBJECT TO
CHANGE.

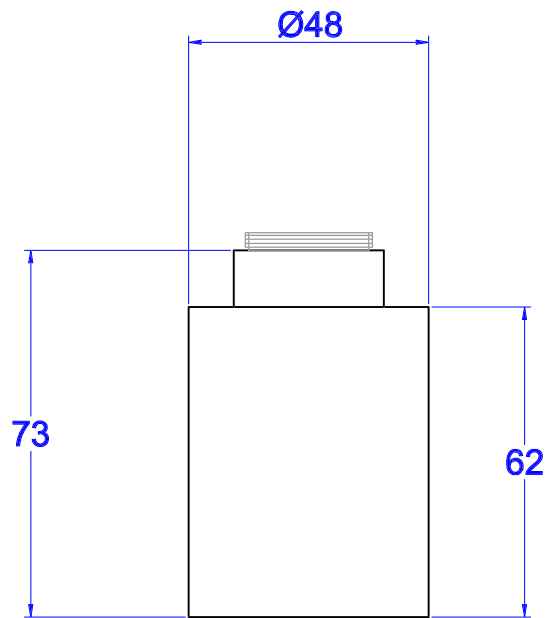
Date: 10/28/97

Modified:

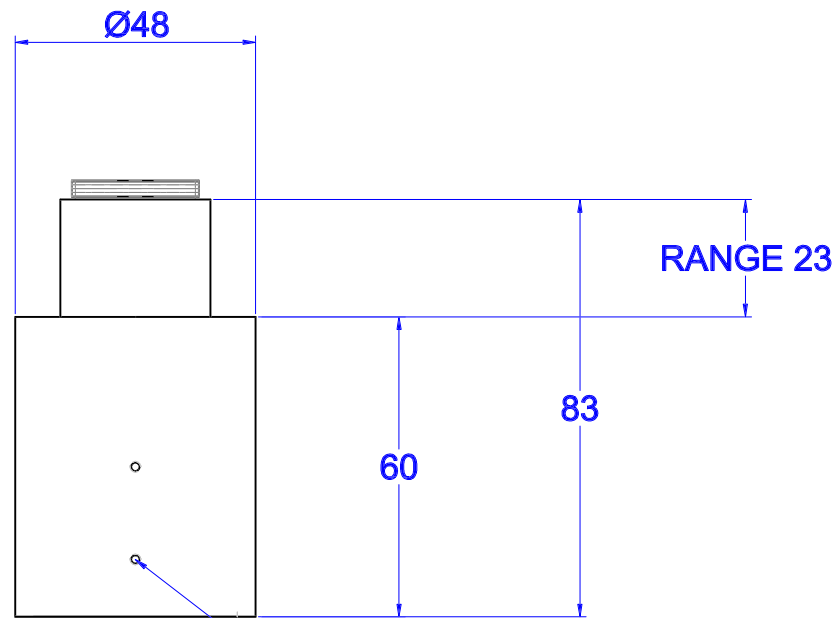
INFINITY Photo-Optical Company
2530 Frontier Ave., Boulder, CO 80301
303/440-4544 Fax 303/440-4144

Standard C-mounts

SIZE B	FSCM NO.	DWG NO.	REV
SCALE NONE	SHEET 1 OF		



Standard
C-Mount
(for InfiVar)



Parfocalable
C-Mount

Locking set screw
to set C-mount position

ALL DIM ARE mm
[inches] AND ARE FOR
REFERENCE ONLY
AND ARE SUBJECT TO
CHANGE.

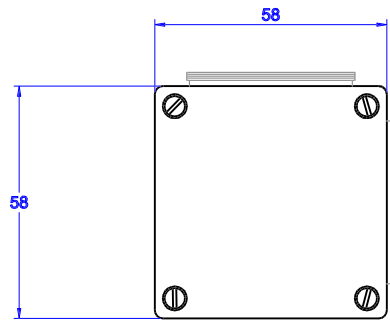
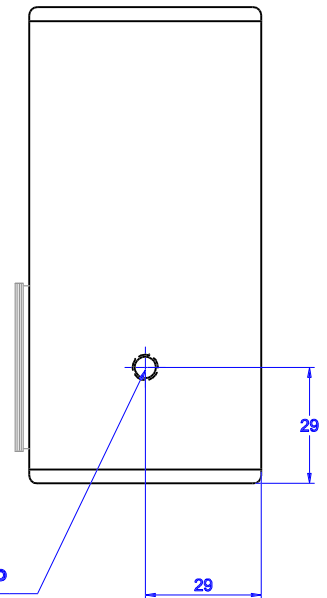
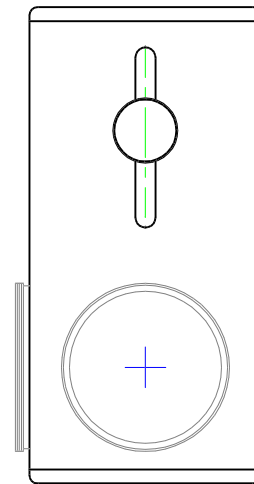
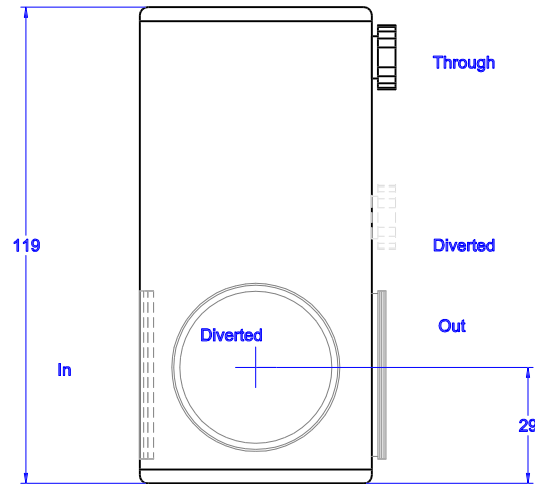
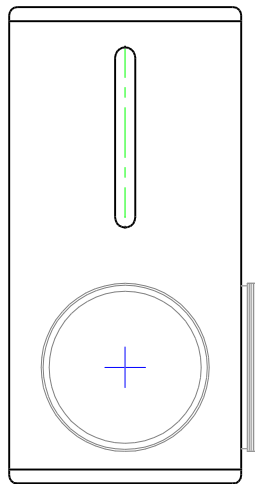
Date: 10/16/97

Modified:

INFINITY Photo-Optical Company
2530 Frontier Ave., Boulder, CO 80301
303/440-4544 Fax 303/440-4144

Special C-mounts

SIZE B	FSCM NO.	DWG NO.	REV
SCALE NONE	SHEET 1 OF		



Bottom View

ALL DIM ARE mm
[inches] AND ARE FOR
REFERENCE ONLY
AND ARE SUBJECT TO
CHANGE.

INFINITY Photo-Optical Company
2530 Frontier Ave., Boulder, CO 80301
303/440-4544 Fax 303/440-4144

Mirror Diverter

Date: 9/4/97	SIZE B	FSCM NO.	DWG NO.	REV
Modified:	SCALE NONE	SHEET 1 OF		